

LIFT HANDLE LOCK ASSEMBLY VANDALIZED MERCHANDISER UP-DATING KIT - FOR A NATIONAL VENDORS®, CROWN SEVENTY TWO®: 21CE-72, 22M-72, CM-72, FM-72, MM-72, PM-72, ECM-72, EPM-72, HCM-72, HCM-72C, AND SC-140 MERCHANDISERS WHICH ARE EQUIPPED WITH LIFT HANDLE LOCKS.

This Instruction covers the procedures for installing a Lift Handle Lock Assembly Up-Dating Kit in a Crown Seventy Two, 21CE-72, 22M-72, CM-72, FM-72, MM-72, PM-72, ECM-72, EPM-72, HCM-72, HCM-72C, or SC-140 Merchandisers which is equipped with a Lift Handle Lock and which may have been vandalized and the Lift Handle Lock damaged. Some of the the information given in this Instruction pertains only to the FM-72 Merchandiser and is so designated.

If the Lock Lever Pivot, part number 130-2291 or the Lift Handle Lock Lever Base, part number 117-2191 has been damaged, the replacement parts must be ordered as individual parts as must the replacement Lock Cylinder, because they are not part of the Kit.

Figure 1 is provided as an aid in identifying the contents of the Kit.

Read this Instruction carefully and thoroughly before installing the parts of this Kit. Retain this Instruction for reference and future part number identification.

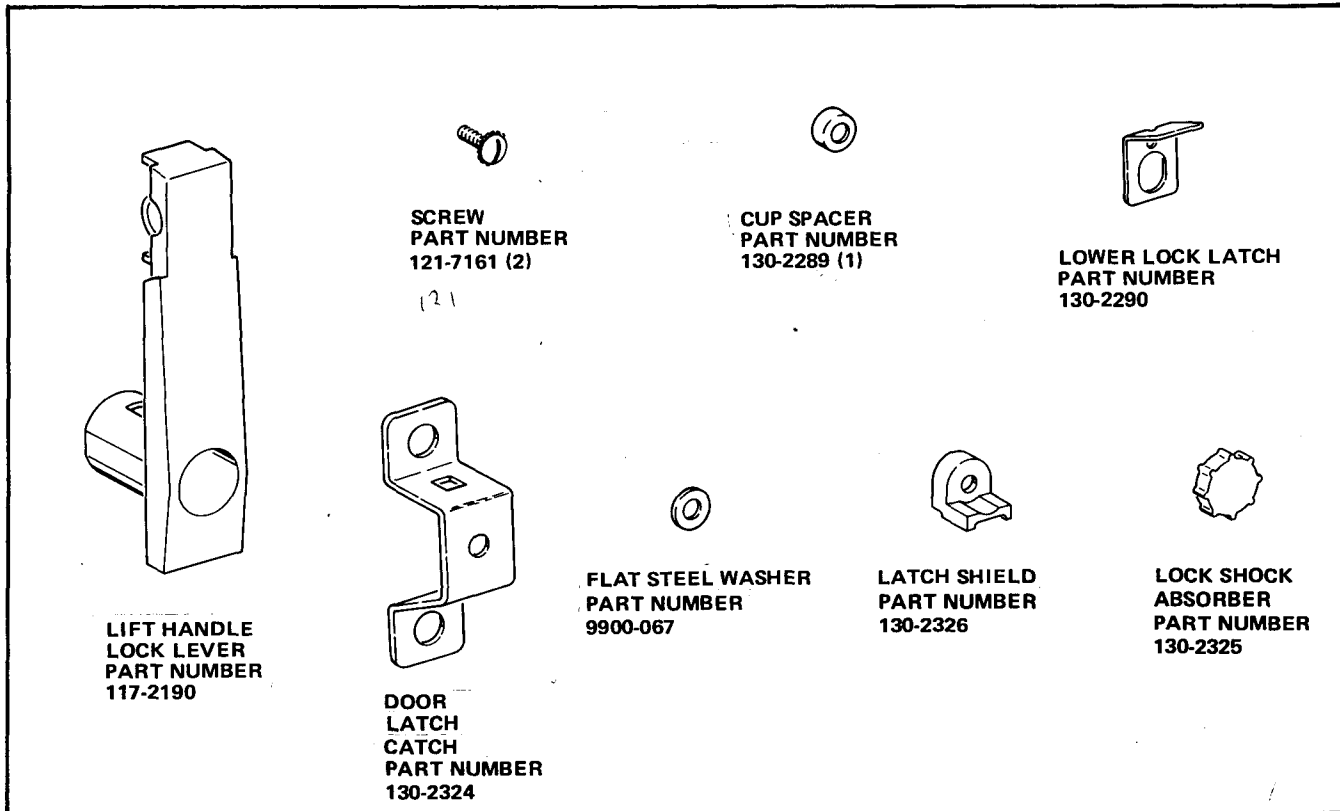
Kit, part number 130-2330, contains the following parts:

Part Number	Description	Quantity
117-2190	Lift Handle Lock Lever	1
130-2289	Cup Spacer	1
121-7161	Screw/Lockwasher, No.10-32 x 1/2 Rd. Hd	2
130-2290	Lower Lock Latch	1
130-2324	Door Latch Catch	1
9900-067	Flat Steel Washer, 7/16" x .203" x .062"	1
130-2326	Latch Shield	1
130-2325	Lock Shock Absorber	1
130-2329	Installation Instruction * * *	1

INSTALLATION OF KIT PARTS

A. PREPARATION OF MERCHANDISER FOR INSTALLATION OF PARTS IN KIT

1. Open the Cabinet Door or in the case of the FM-72, the Monetary Compartment.



2. Remove the 2 Screws/Lockwasher which attach the Lock Bar Actuator Assembly to the Lift Handle Lock Lever and remove the Lock Lever Assembly. See Figure 2, View "A" for Merchandisers other than the FM-72 or View "B" for the FM-72 Merchandiser.
3. Remove the 3 Screws/Lockwasher and the Cup Spacers which attach the Lift Handle Lock Lever Base, Latch Assemblies, etc., and remove those parts from the Merchandiser. See Figure 3.
4. Remove the Lock Lever Pivot from the Lift Handle Lock Lever and separate the Lock Lever from the Lever Base. See Figure 4.

B. INSTALLATION OF THE REPLACEMENT PARTS IN KIT.

1. Insert the replacement Lift Handle Lock Lever, part number 117-2190 included in the Kit, into the Lift Handle Lock Lever Base and insert the Lock Lever Pivot (removed in step A-4) into the hole in the replacement Lock Lever. See Figure 4.
2. Install the assembly created in step B-1 on the Cabinet Door or Monetary Compartment and attach it with one of the Cup Spacers, part number 130-2289, and Screws/Lockwasher, part number 121-7161 included in the Kit. See Figure 5.

3. Install the Lower Lock Latch, part number 130-2290, and Door Latch Catch, part number 130-2324 (both of which are included in the Kit). Attach the parts with the Flat Steel Washer, part number 9900-067, and the remaining Screw/Lockwasher, part number 121-7161, both of which are included in the Kit. See Figure 6. See Figure 7 for the proper space adjustment of the Lower Lock Latch.
4. Install the Latch Shield, part number 130-2326 included in the Kit, and attach the Door Latch Catch (step B-3) and the Latch Shield with one of the Screws/Lockwasher removed in step A-3. See Figure 6.
5. Install the Lock Bar Actuator Assembly removed in step A-2 and attach the Actuator with the 2 Screws/Lockwasher removed in that step. For all Merchandisers except the FM-72, be sure the Stud on the Lock Bar And Stud Assembly is in the slot in the Actuator Assembly. See Figure 2, View A or View B.

NOTE

1. *If the Lock to be used is a short-cylinder Lock, follow steps 6 and 7 and skip step 8.*
2. *If the Lock to be used is a long-cylinder Lock, skip steps 6 and 7 and follow step 8.*

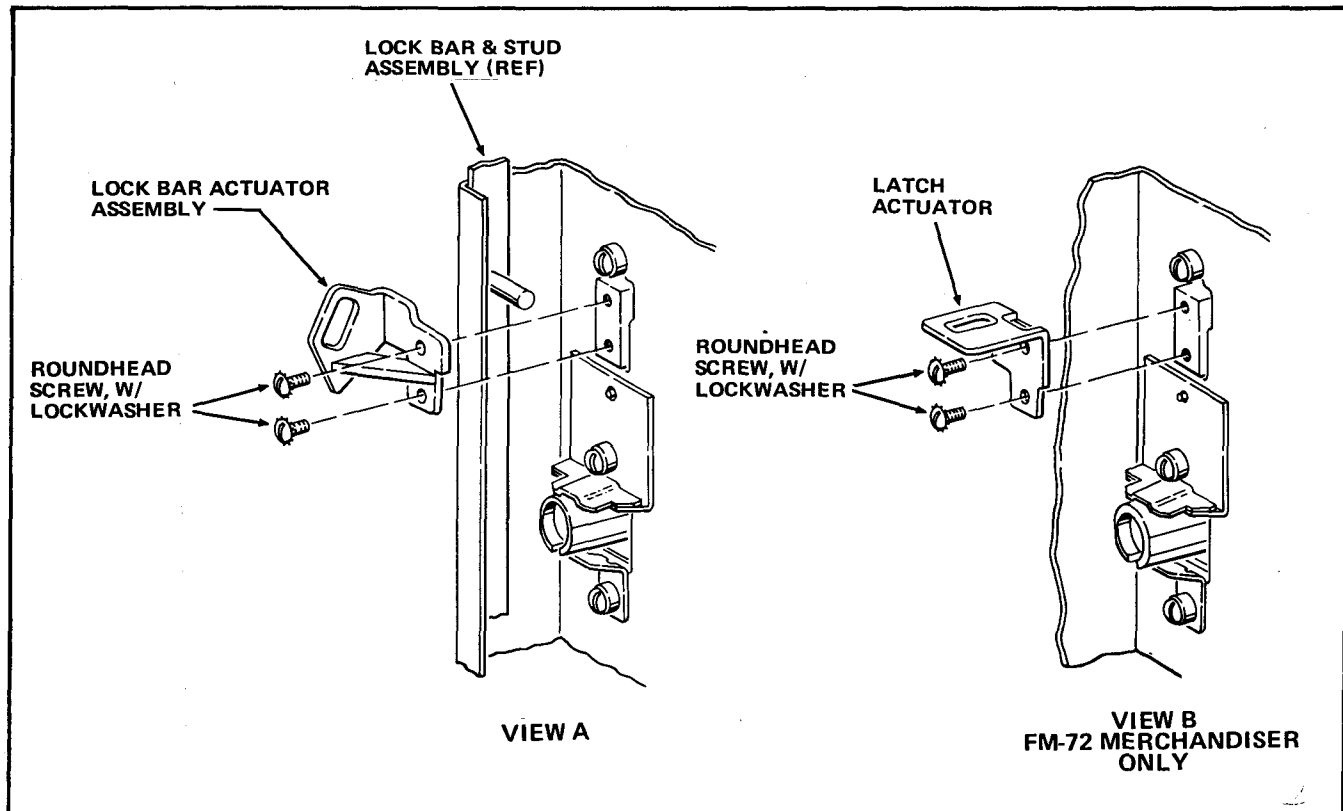


FIGURE 2

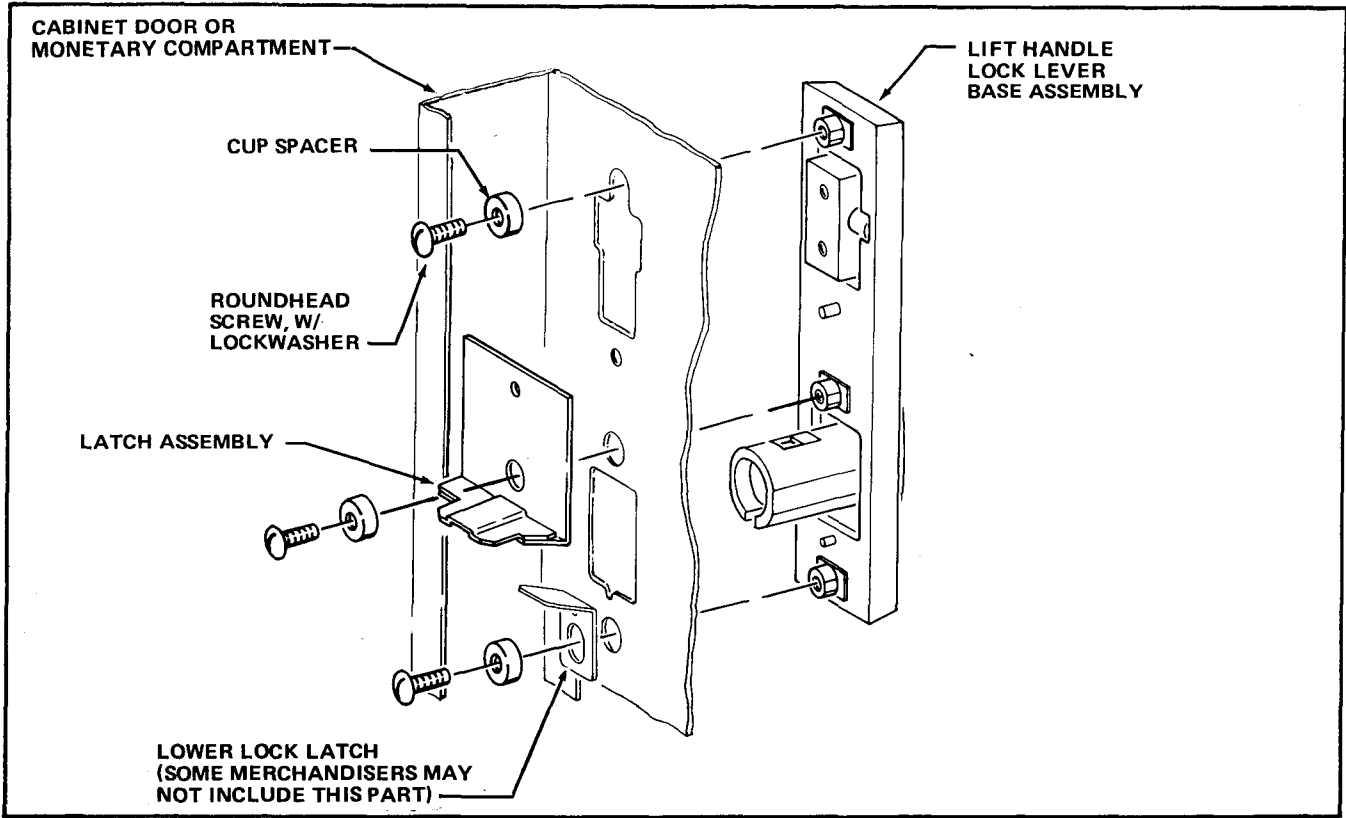


FIGURE 3

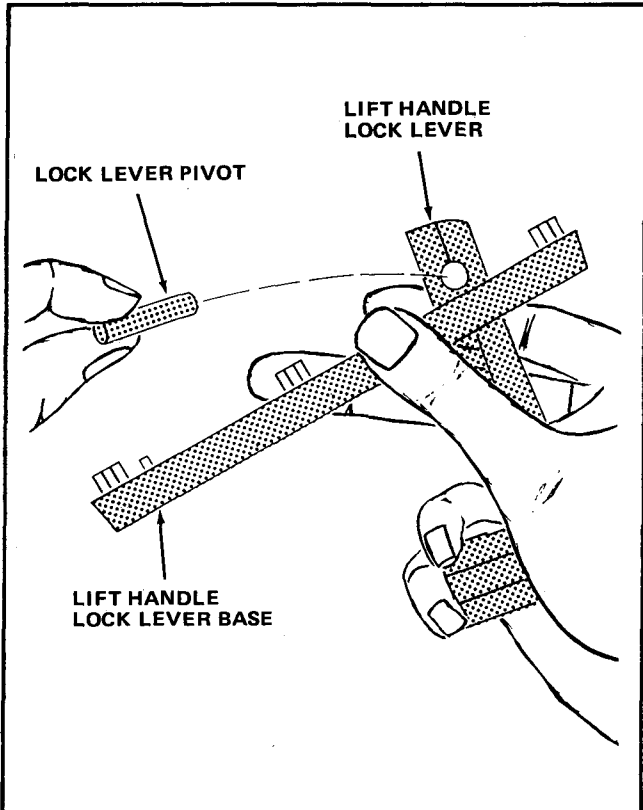


FIGURE 4

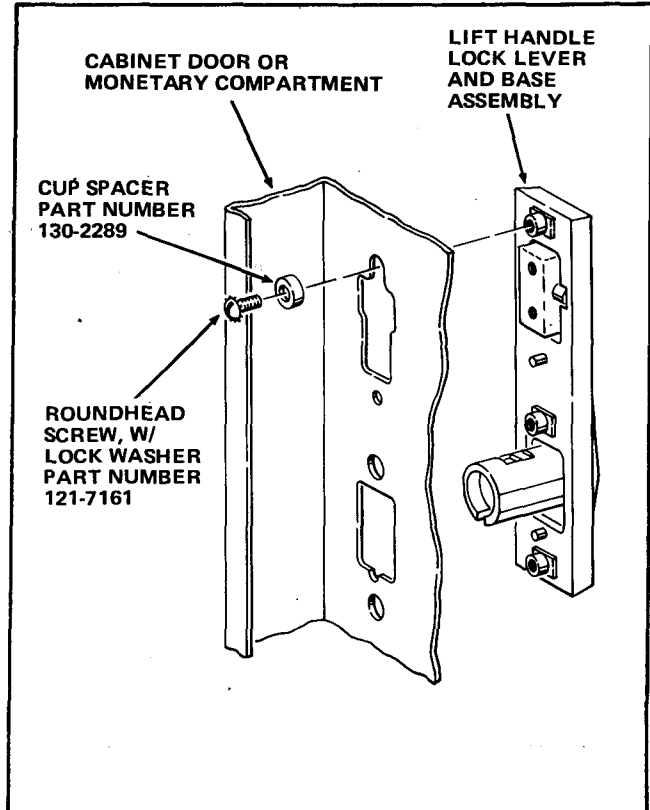


FIGURE 5

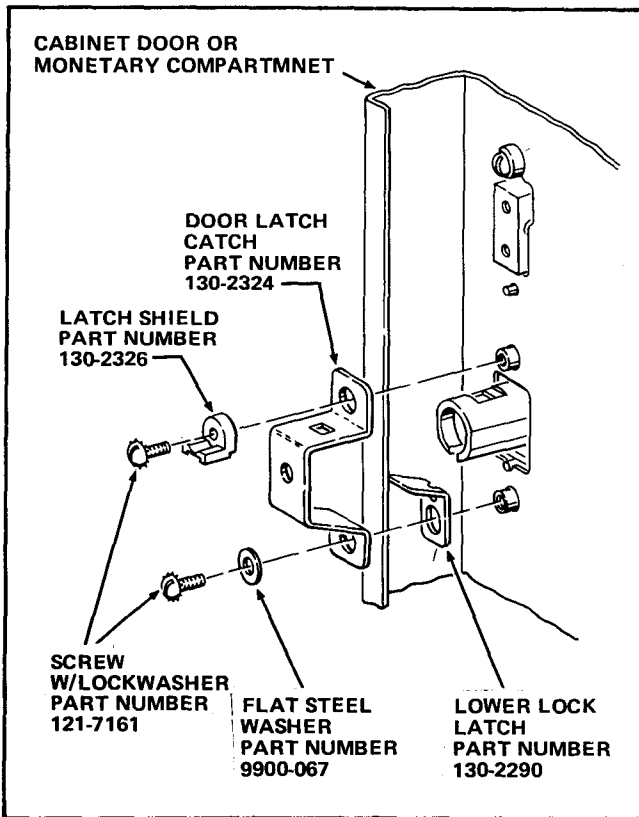


FIGURE 6

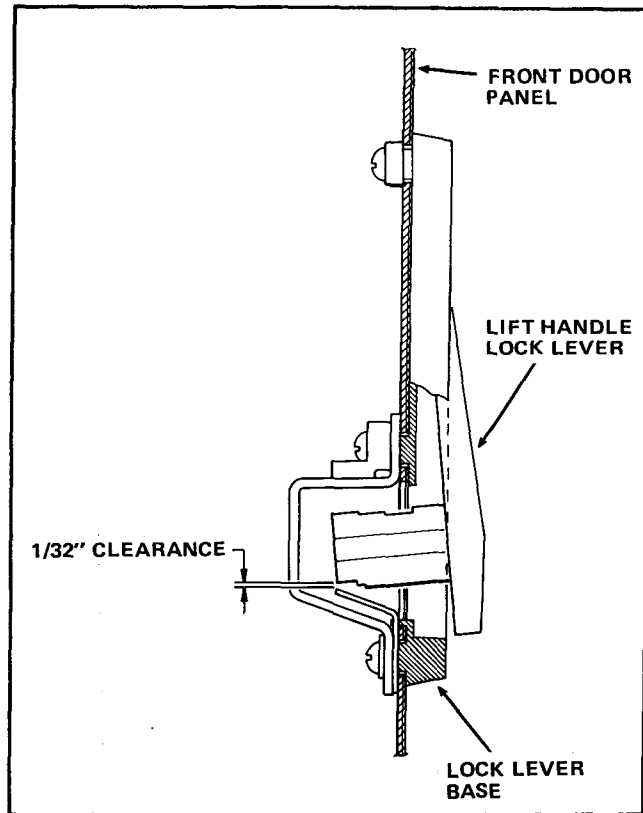


FIGURE 7

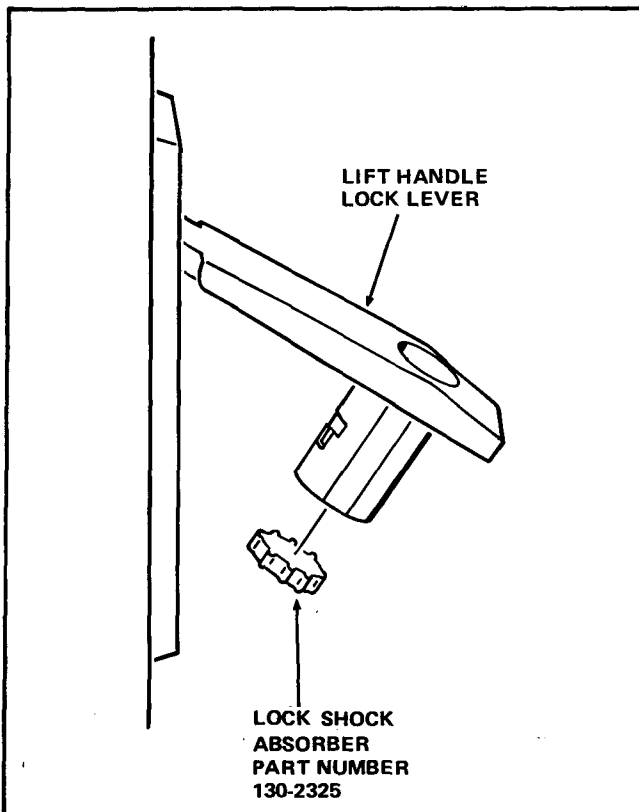


FIGURE 8

6. If the Lock to be used is a short-cylinder Lock, pull the Lift Handle Lock Lever out of the Lever Base and install Lock Shock Absorber, part number 130-2325 included in the Kit. Push the Shock Absorber into the back of the Lock Lever lock retaining cylinder. See Figure 8. The Lock Shock Absorber fills the space between the short type Lock Cylinder and the Door Latch Catch when the Lock Lever is in the locked position.
7. Insert the Lock Cylinder into the Lift Handle Lock Lever, Lock-pin up. See Figure 9.
8. If the Lock to be used is a long-cylinder Lock, insert the Lock Cylinder into the Lift Handle Lock-pin down. DO NOT use the Lock Shock Absorber. See Figure 10.

NOTE

If the spring loaded Lock-pin in the Lock Cylinder fails to snap into place in the Lift Handle Lock Lever, use the Key to rotate the Lock Cylinder until the spring-loaded Lock-pin snaps into place.

9. Close and lock the Cabinet Door or Monetary Compartment.

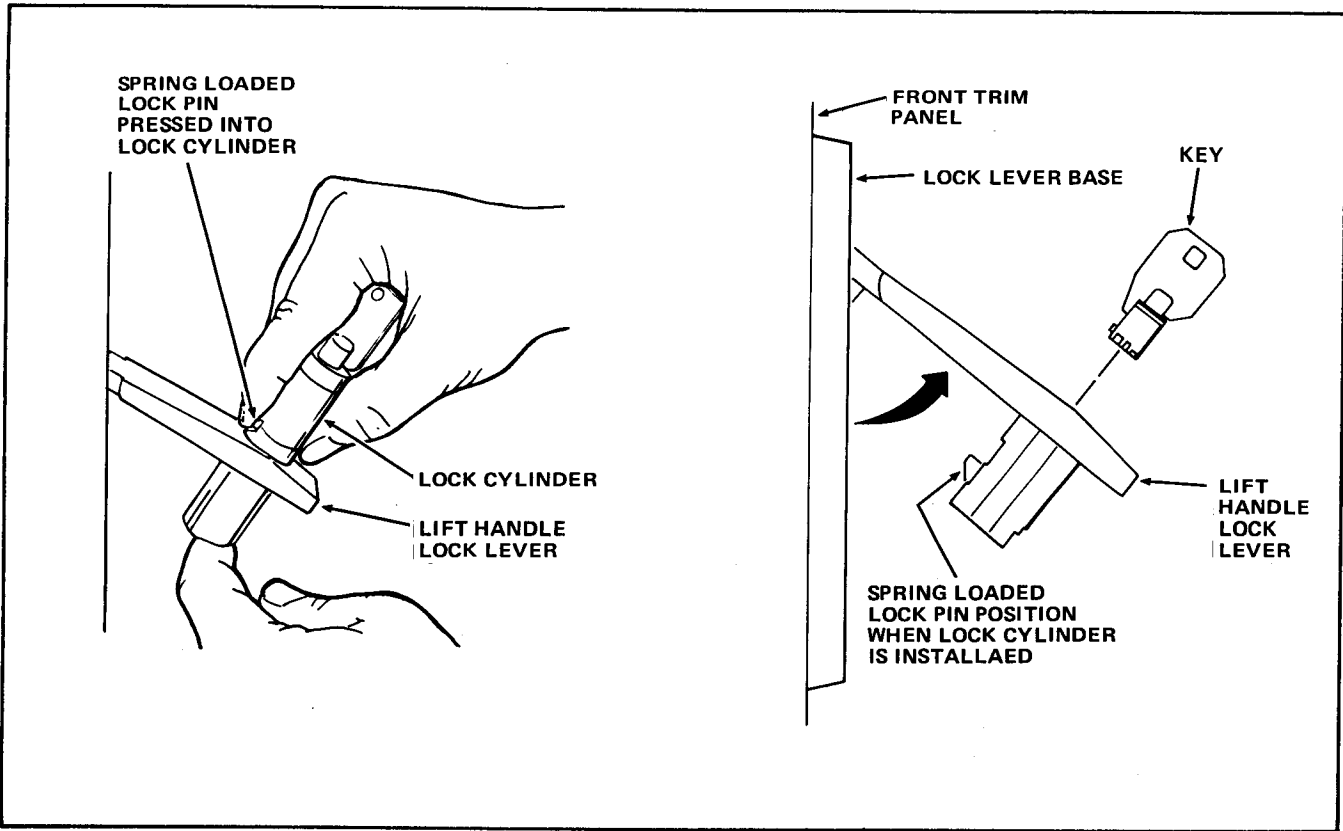


FIGURE 9

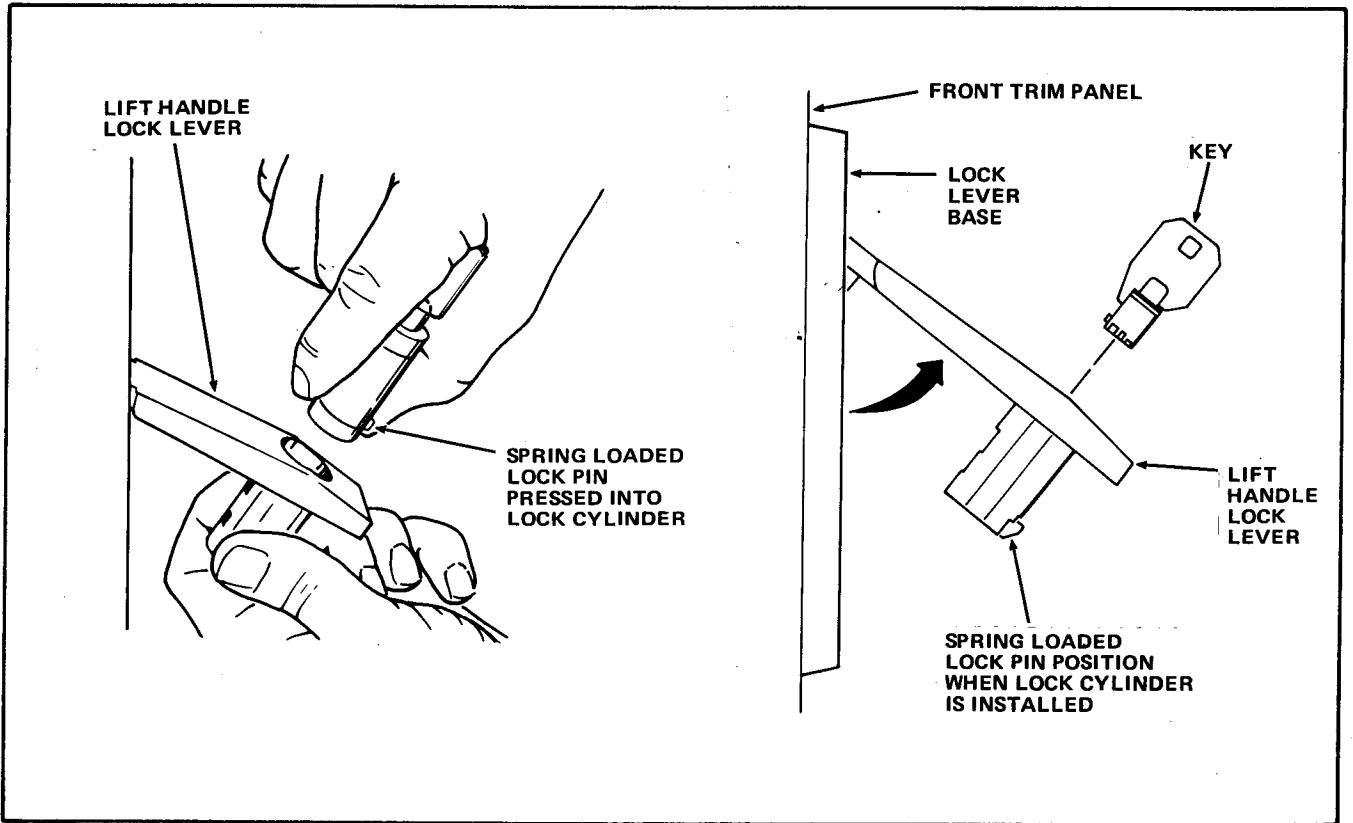


FIGURE 10